

Data Sheet

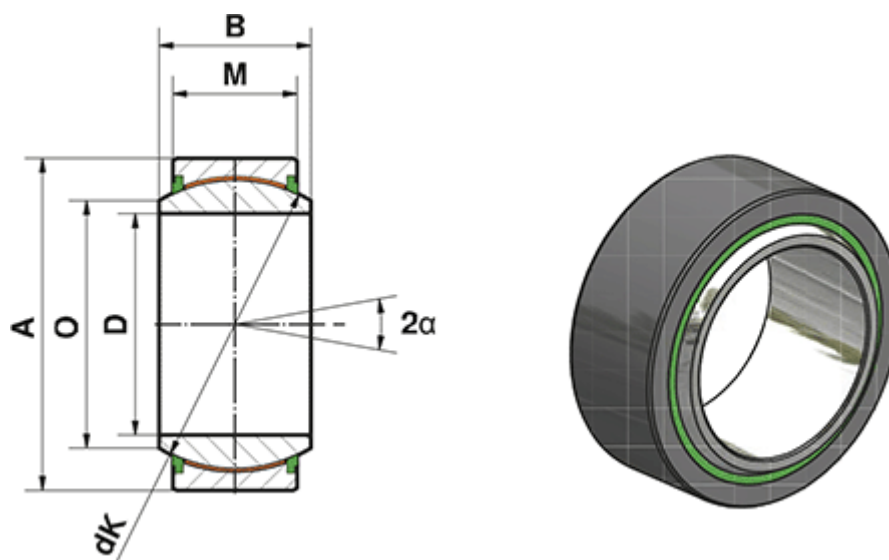


Article number: 03445020

Description: Fluro Heavy Duty Spherical Plain Bearing GE 20 EW-2RS
Hole \varnothing 20

Note: 20

Measures



A	= 35	Static load C0 (kN) = 112
a (degrees)	= 9	Weight (g) = 60
B	= 16	
D	= 20	
dk	= 29	
Dynamic load C (kN)	= 67.5	
M	= 12	
O	= 24.1	